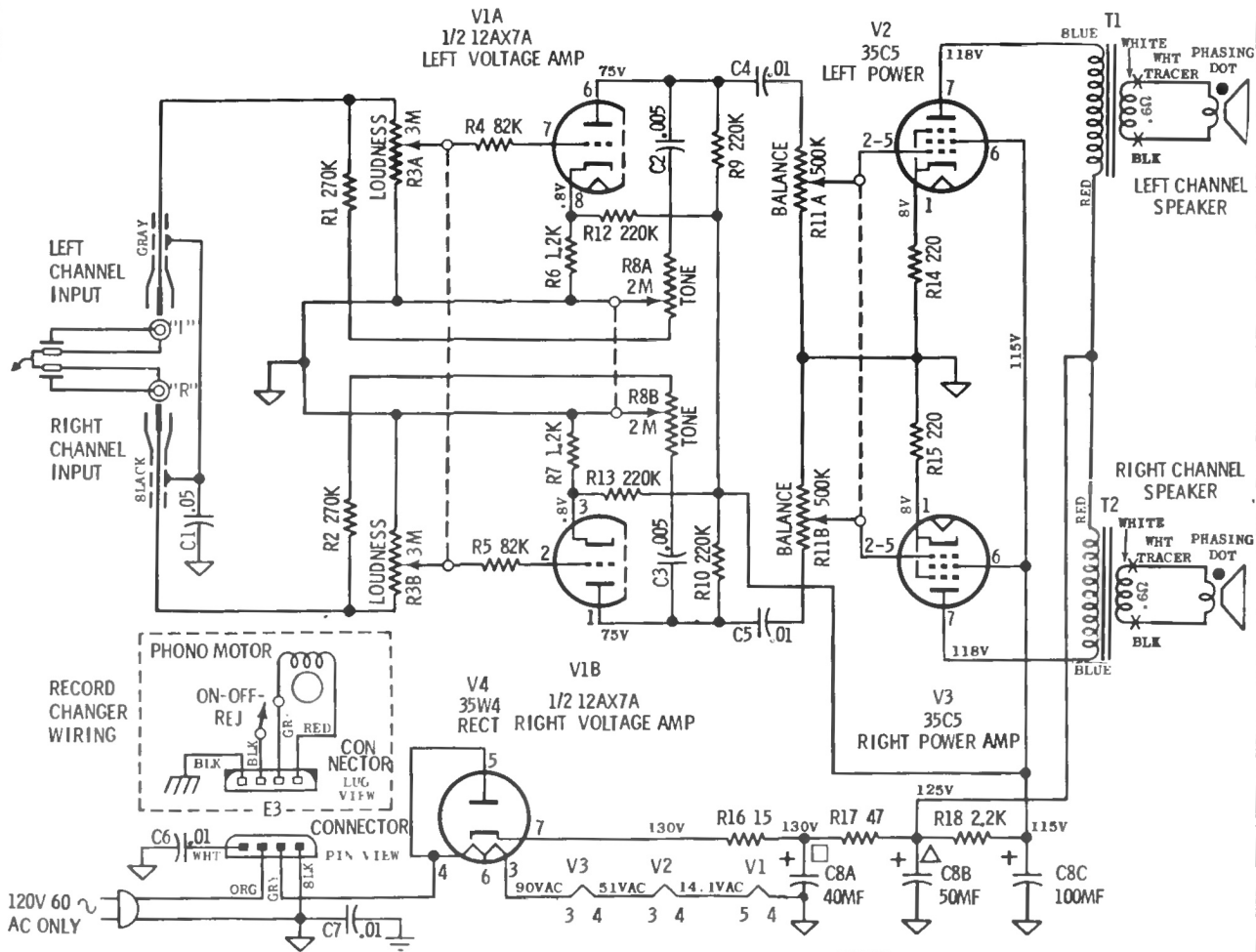


MOTOROLA MODEL SK119 CHASSIS HS-1192

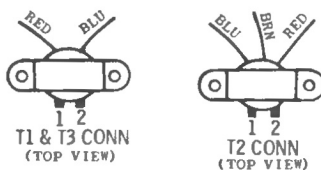


CHASSIS REMOVAL

1. From bottom of cabinet, disconnect all leads and cables connected to chassis.
2. From inside record changer compartment, remove 3 control knobs and loosen large hex nuts located under knobs; then grasp chassis from bottom and loosen nuts completely.
3. Remove chassis from cabinet.

RECORD CHANGER REMOVAL

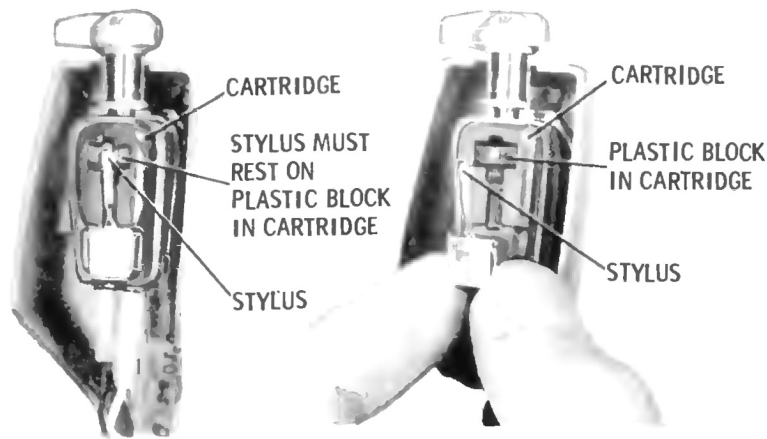
1. Turn the 2 changer mounting screws clockwise until they are flush with the changer base.
2. From underside of changer, disconnect all cables from record changer.
3. Turn the mounting clips located at the ends of the mounting screws so they are parallel with the mounting screws, then lift changer out of cabinet



NOTES:

CAPACITORS - Unless otherwise specified decimal values in MF; all others in MMF.
VOLTAGES - Measured from point indicated to B- with a VTVM, +10%. No signal in.

⏚ = B- ⏚ = CHASSIS = RECORD CHANGER FRAME



STYLUS REPLACEMENT